

HLF 2700 Touch Screen



QUICK START INSTRUCTIONS

ENGLISH
Part Code: 9BQE27G07



RETAIN FOR FUTURE USE !

The copyright of these Instructions Manual, which are entrusted to the recipient personally, remains with the HLF company.

The content may not be disclosed or made available to any third party without the express consent of the HLF company.

These Operating Instructions must be read and applied by anyone performing work with or on the equipment described.

In particular, it is imperative that all such persons familiarise themselves with the safety instructions.

1 Installation

1.1 Transport

During the transport of the HLF 2700 coffee maker is important to avoid the following operations:

- Turning the box upside down or lay it down on its side
- Dropping the box
- Exposing it to rain, excessive cold or heat, or damp places

1.1.1 Receiving the unit



NOTE

Before to open the box of the HLF 2700 coffee maker, check out the packaging to be sure there is no damage.

If damage is noticed, place a claim with the freight forwarder immediately.

Check for:

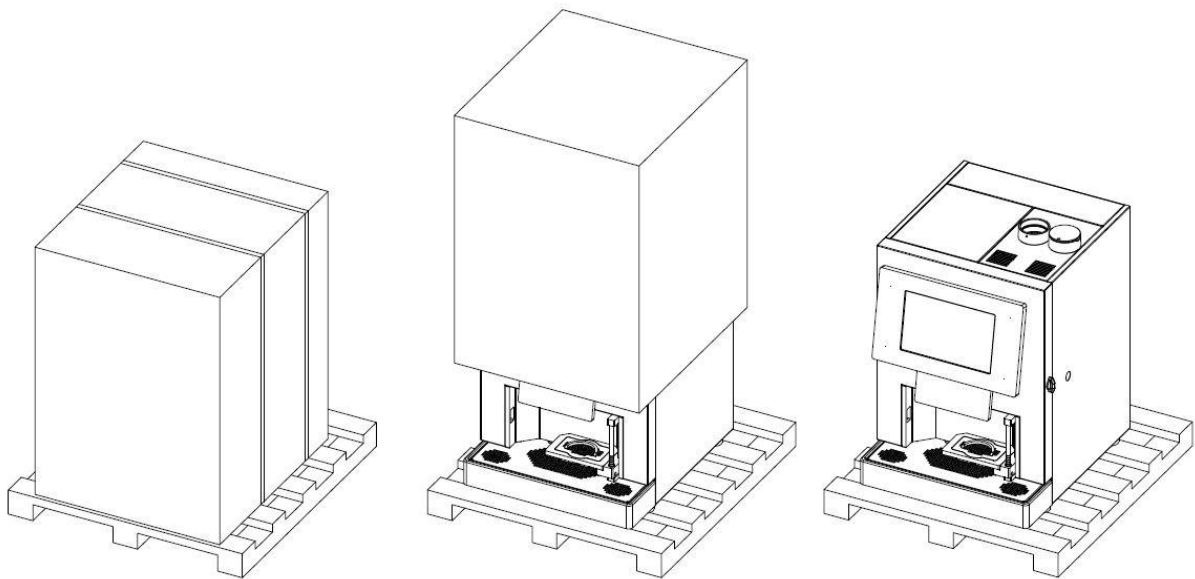
- Dents or damage of the box
- Wet areas
- Signs of tampering

1.1.2 Un-packing

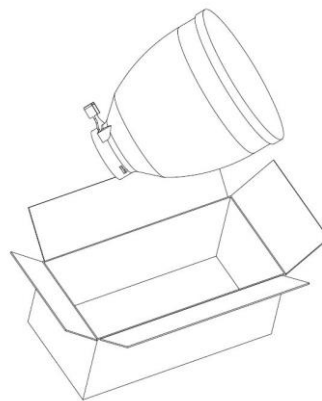
The HLF 2700 coffee maker is packed in a strong carton specifically designed for this unit. This should protect the unit during the transportation.

To further protect it, take out the unit from the box only when you have reached the location where the machine will be installed, and only after all the electrical and water connections are in place.

To take out the unit, you have to cut the plastic strip, and take out the upper carton cover with the white styrofoam sheets. Then you can take out the pallet.

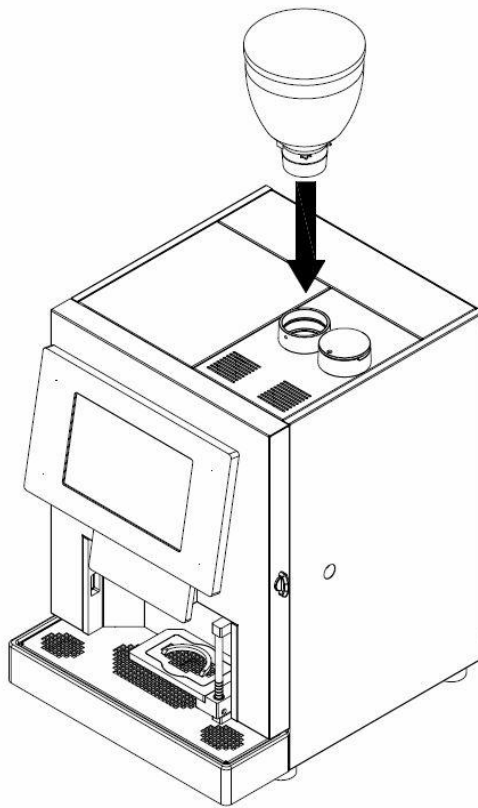


Along with the HLF 2700 package, is provided also a second box containing the external coffee beans hopper/s and the drip tray.



Extract the coffee hopper/s from the box and install it in the neck on the top lid of the HLF 2700 coffee machine, turn it clockwise until the micro fits into the hole (see image below).

Extract the drip tray and insert it at the base of the machine.



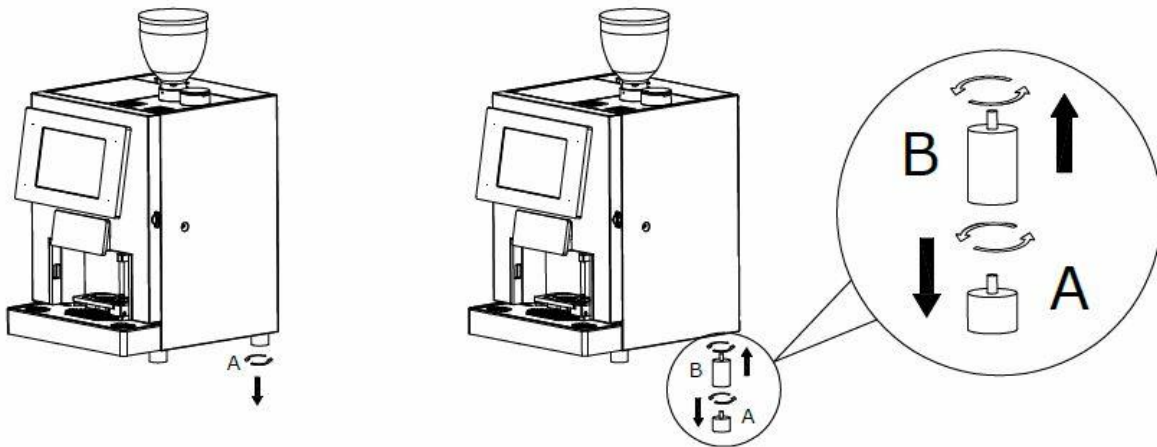
NOTE

Only for installations in the United States of America

To meet the cleaning requirements in the United States, it is mandatory to install the raising-machine kit.

Remove the four feet from the raising-machine kit accessory box, previously ordered.

Unscrew all the feet (A) supporting the coffee machine;
screw the foot (B) (accessory) to foot (A);
fix the support under the machine and repeat for the other 3 supports.
(See image below)



CAUTION

The packing material must not be left accessible to others, as it is a potential source of danger. For the disposal contact qualified companies.

Now the unit is free and ready to be installed on a base, table or cabinet strong enough to hold 80 Kg.

1.1.3 Checking the internal of the unit

Open the front door and check if any damage is visible. If you see damage, call for technical service.



WARNING

Don't try to operate the HLF 2700 coffee maker in case of presence of internal damages. Even if the damages are minimal, it's strongly recommended to leave the unit disconnected from the power supply and call the technical service.

1.2 Procedure

1.2.1 Minimum Requirements

The machine must only be installed using the supplied connection cables and hoses. Any existing cables or hoses must not be reused. The manufacturer is not liable for any damages arising from improper installation.

The use of incorrect connections voids the warranty!

Water Requirements: flow rate of at least 3 L/min.

For example:

Fill a container of 3 Liter capacious and make sure the time it takes to be filled in is 60 seconds or less (or 1 Liter in 20 seconds or less).

The maximum pressure of the water line has to be between 1 to 6 bar.

Electric Requirements: Be sure to choose a wall plug with enough power to supply the unit and that it's grounded in observance with current safety norms.

Refer to paragraph 1.3.3 of this Instruction Manual to select the correct wall plug.

1.2.2 Water connection

On the back of the HLF 2700 is located the inlet water valve that permits the connection of the machine to the direct water line.

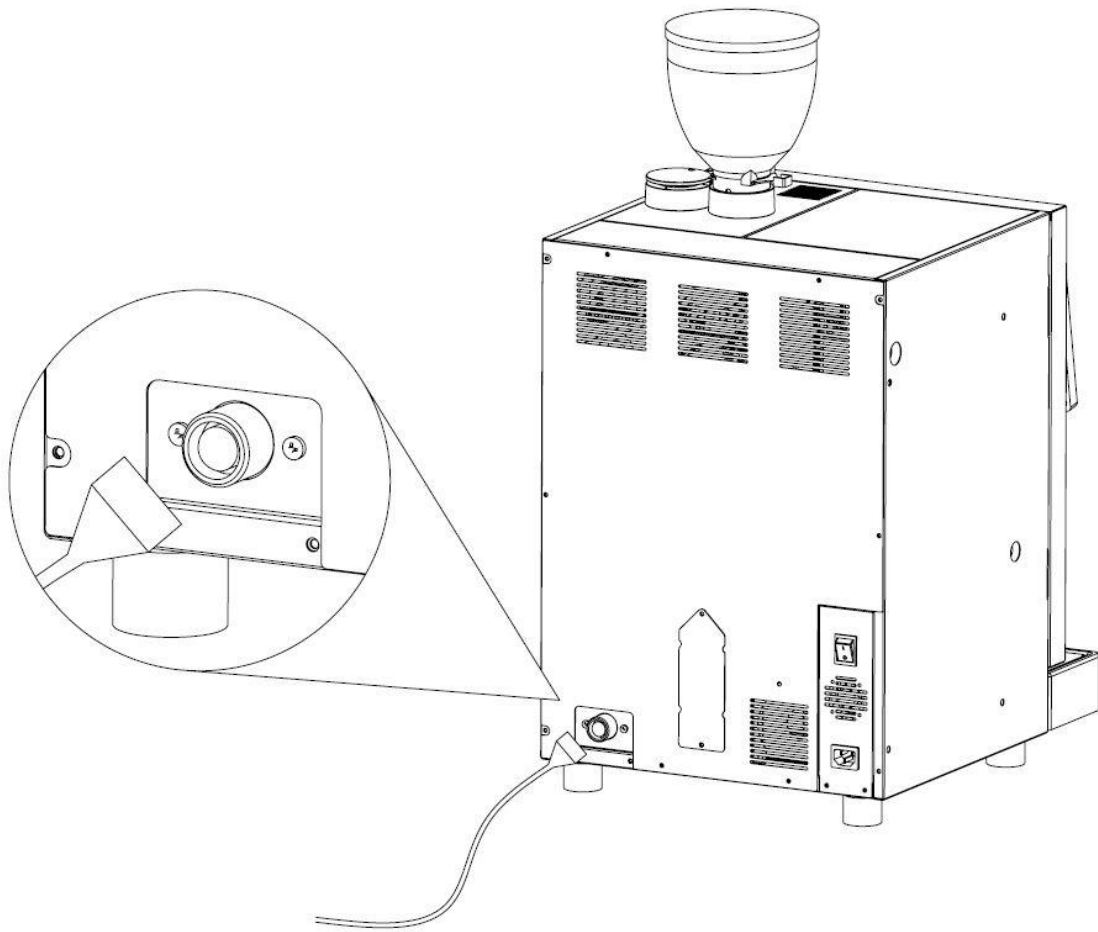


CAUTION

The water connection must only be connected to drinking water.

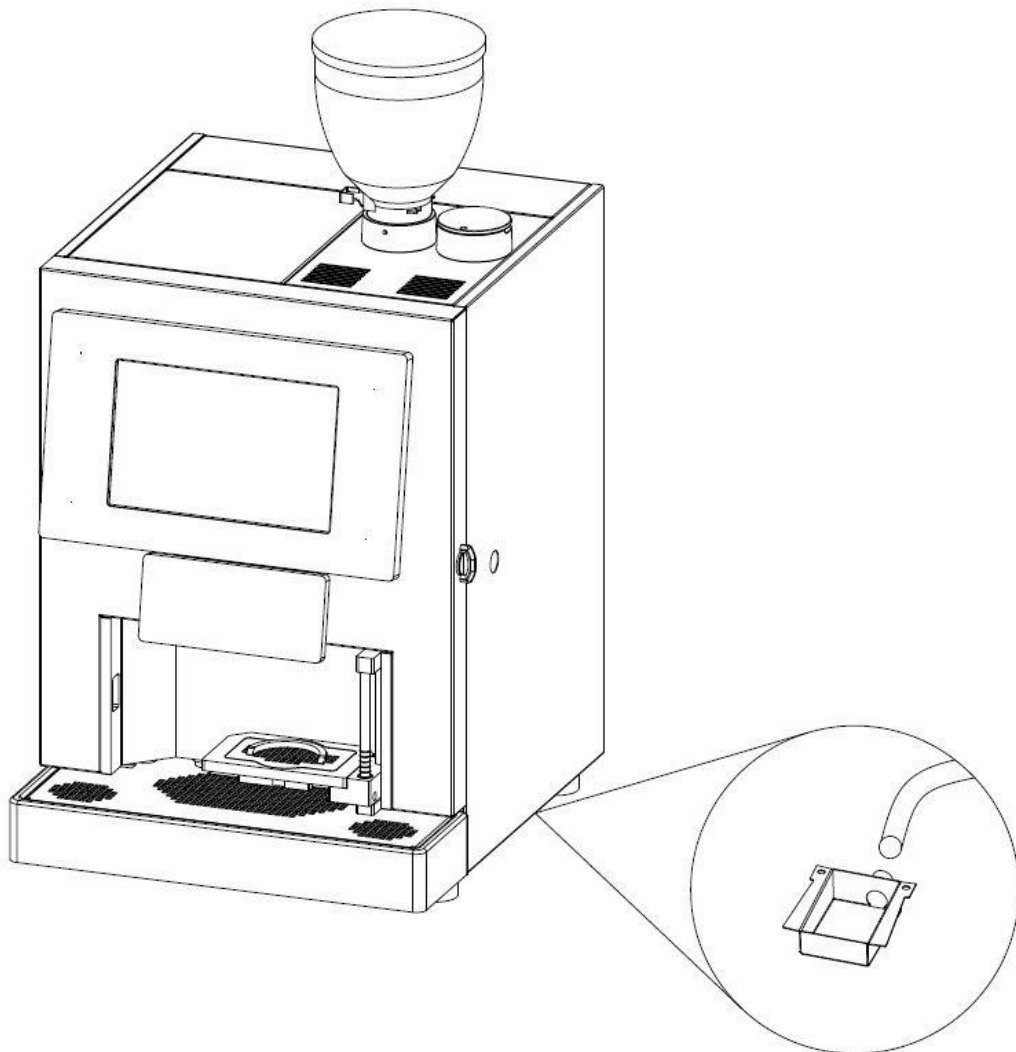
The maximum pressure of the water line has to be between 1 to 6 bar in order to prevent damages to the inlet water valve. A lower pressure will not be sufficient to open the inlet water valve, meanwhile a higher pressure will break the valve causing in this way a water flood.

Refer to the national laws of your country for the connection to the water line. To connect the water line to the HLF 2700, is necessary to use a tube with a female screw of $\frac{3}{4}$ of inch at each end of it, as showed on the following picture.

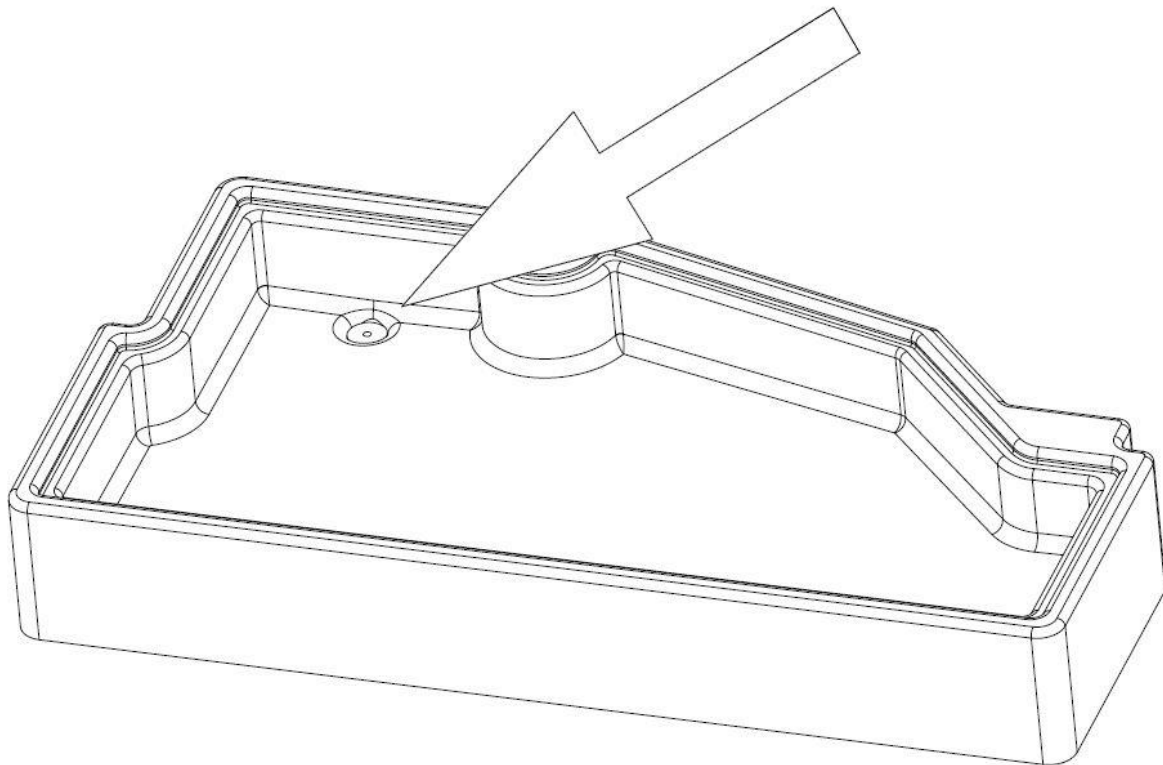


1.2.2.1 How to connect the drainage tube

Connect the drain pipe to the drip tray which is placed under the machine (see image below).



Then make a hole in the plastic drip tray (see image below).
In this way the liquid collected, will be discharged externally through the tube that was previously connect ed (previous step).



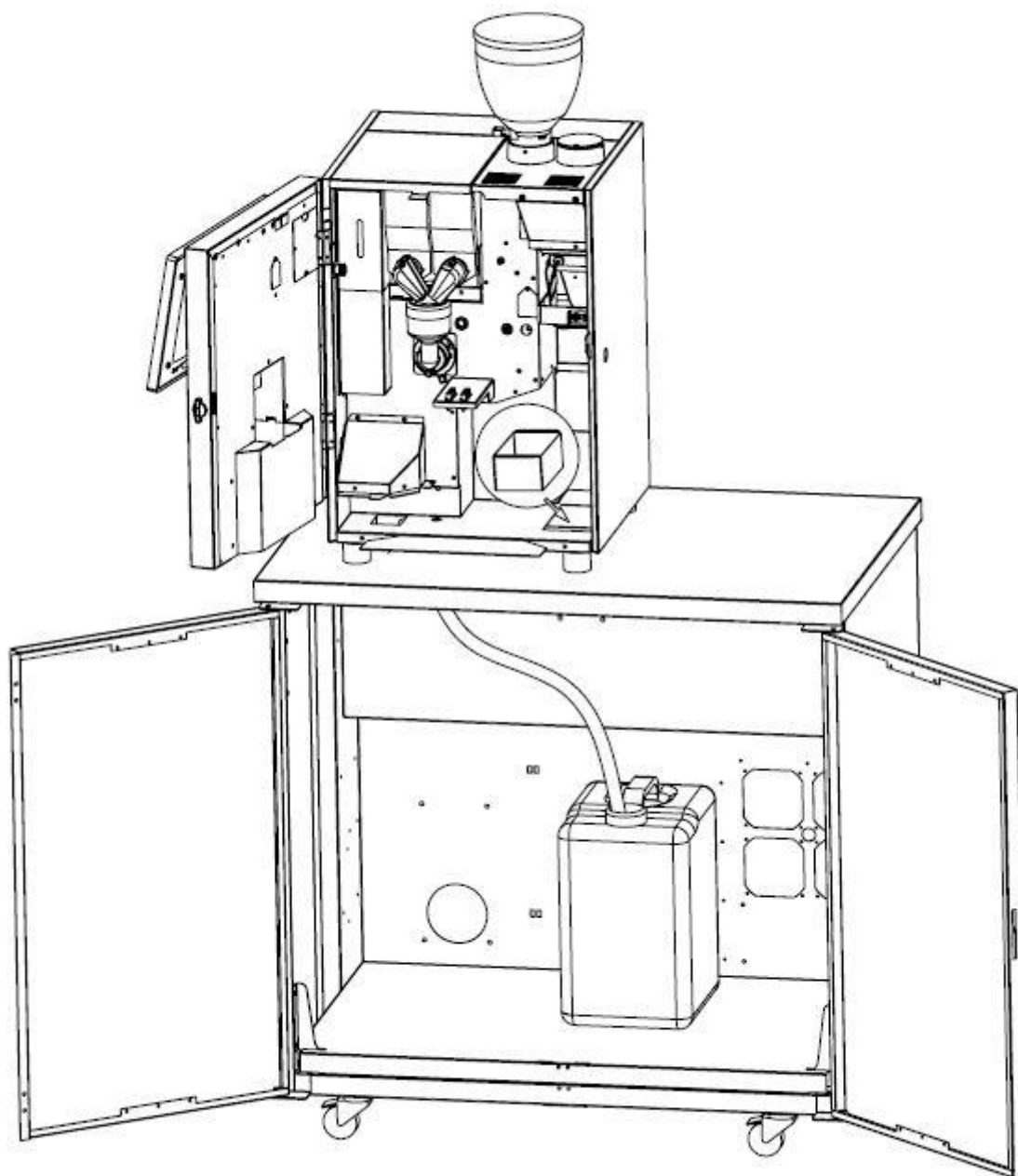
WARNING

Refer to planning diagram for respective distances.

1.2.2.2 External waste drawer

It is possible to download the coffee grounds directly into a larger drawer, external to the machine.

- Insert the grounds discharge channel into the compartment located underneath the coffee group (see image below).

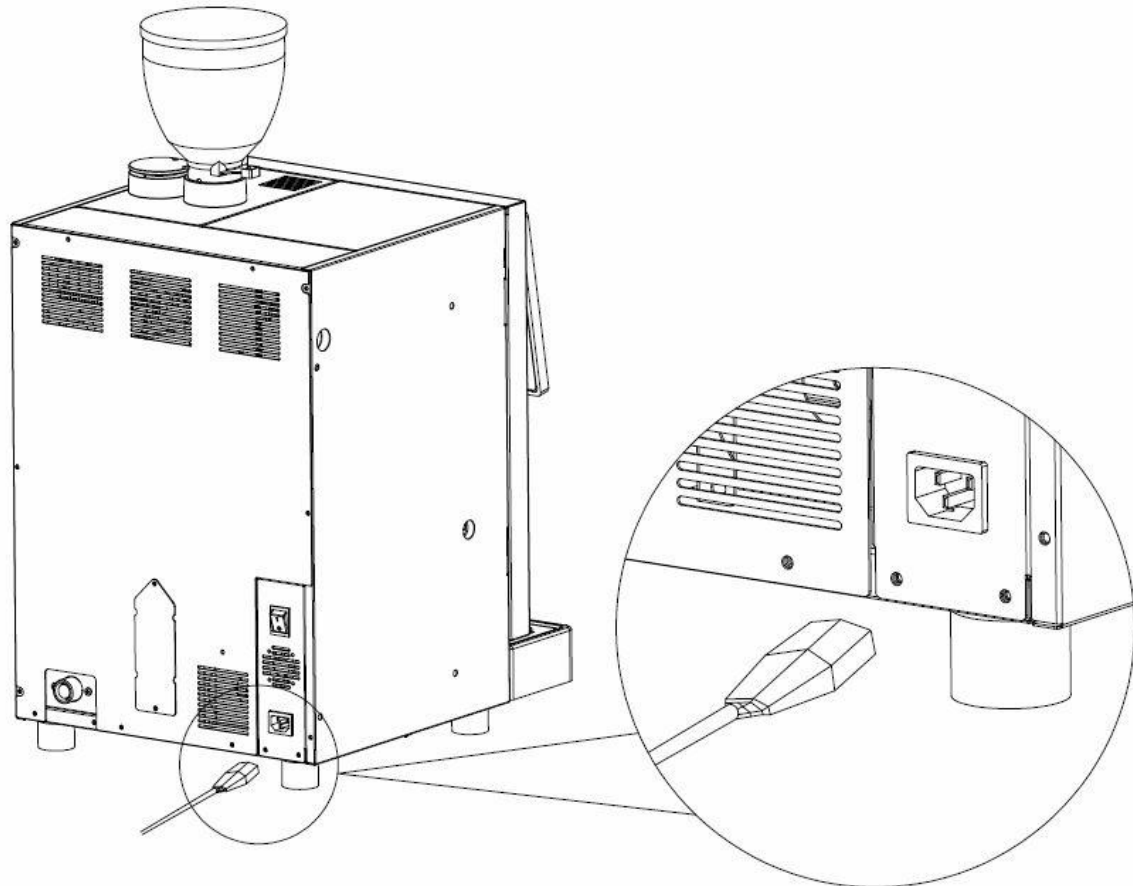


WARNING

Refer to planning diagram for the hole positioning.

1.2.3 Electric connection

Insert the power cord on the back of the machine near to the main power switch.



WARNING

INSERT THE POWER CORD INSIDE A CORRECT WALL PLUG, WITHOUT USING ANY OTHER ELECTRIC ADAPTER.

THE USE OF EXTENSION CORDS, ADAPTERS AND/OR MULTIPLE PLUGS IS STRONGLY FORBIDDEN!

1.2.4 Loading products

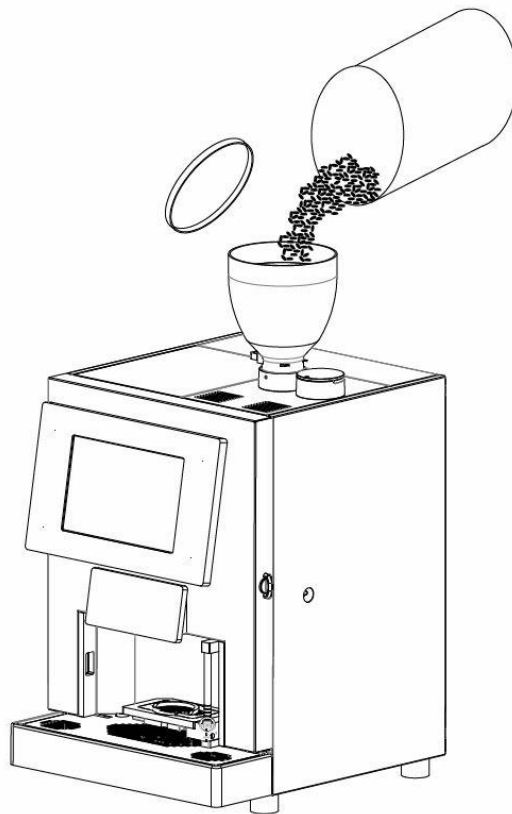


CAUTION

Refer to chapter 5.5 Re-Fill Ingredients for software instructions concerning the ingredients re-fill.

1.2.4.1 Coffee beans

Fill up the coffee beans hopper/s with fresh coffee beans.

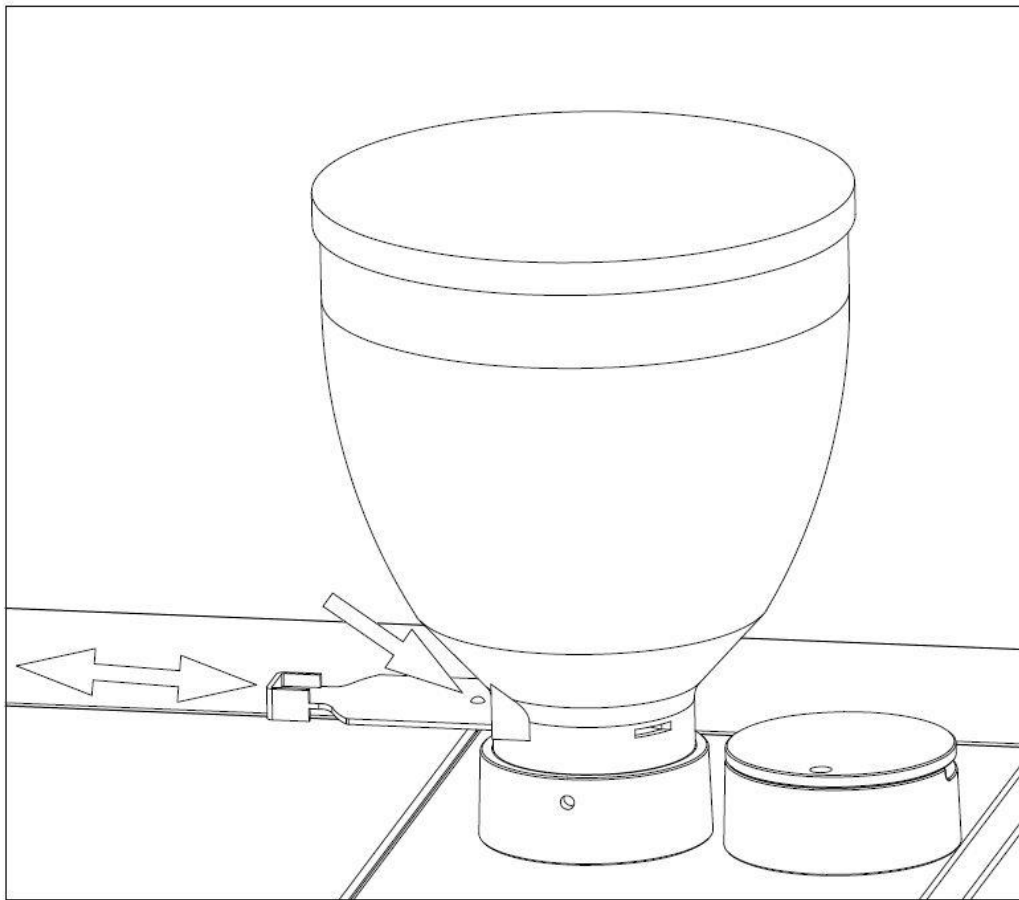


Remember to open the beans stopper located at the bottom of the coffee beans hopper. (see image A below).



NOTE

At first installation, strong pull the stopper so that the pin is completely pulled out (see image B below)



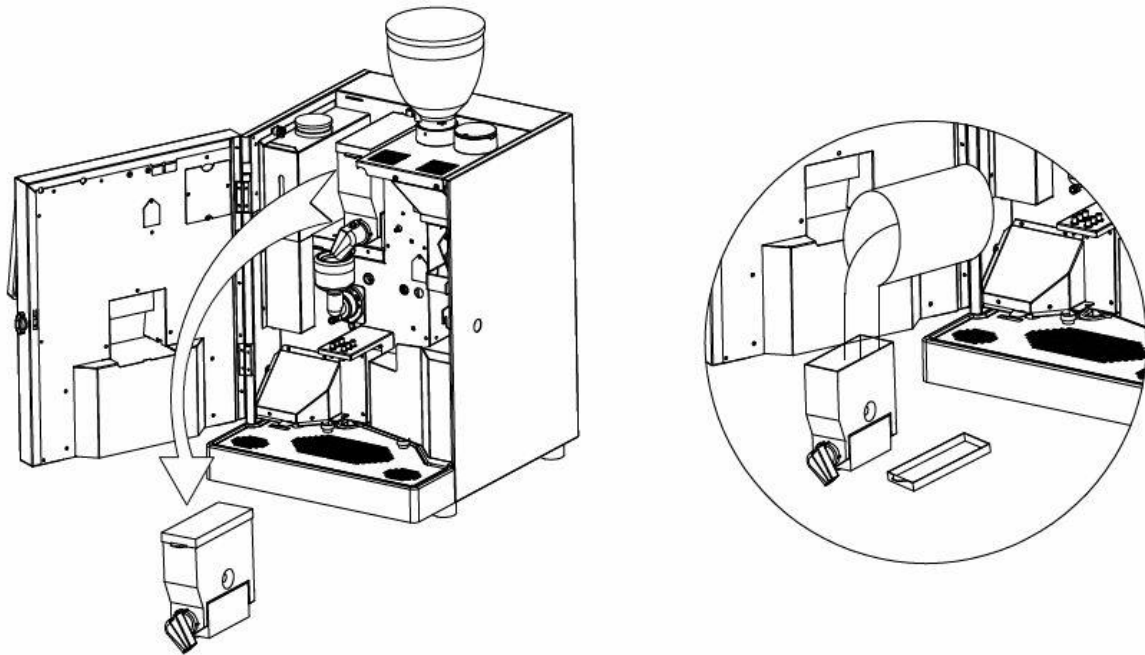
NOTE

It's recommended to use a mix of coffee beans for automatic coffee makers, in order to avoid a rapid consumption of the grinder's blades and also to get the best performance for the HLF 2700

For information refer to a coffee beans dealer.

1.2.4.2 Powders

Take off the top lid and open the front door, take out from the second box the soluble powder containers to continue the filling process of the products.



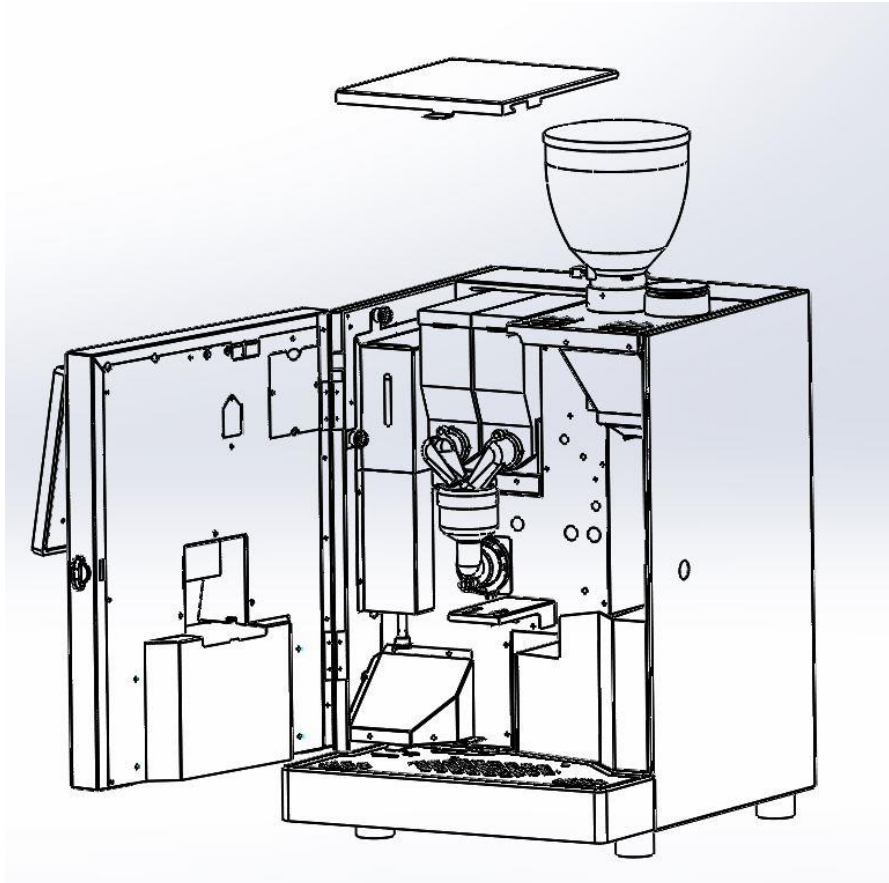
NOTE

It's recommended to do always this operation taking the powder canisters out of the machine, in order to keep the interior of the machine clean from dust.

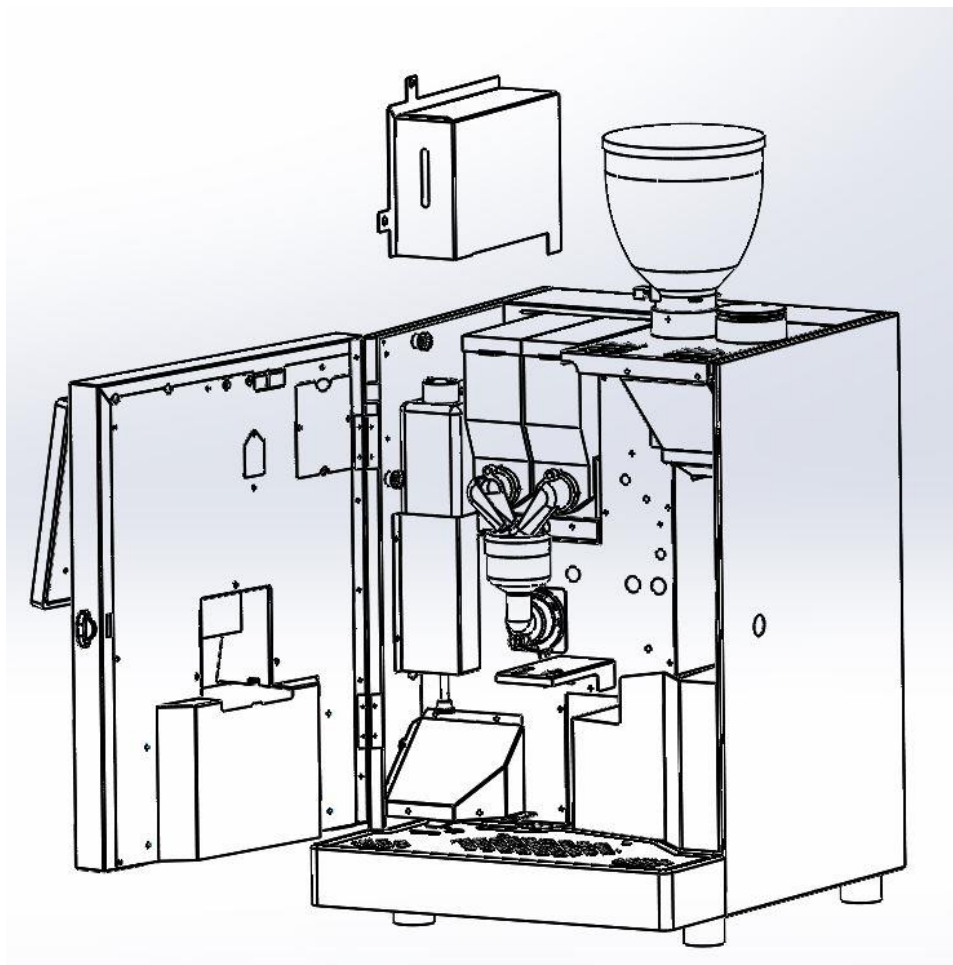
Place back each container in its original position.

1.2.4.3 Detergent tank

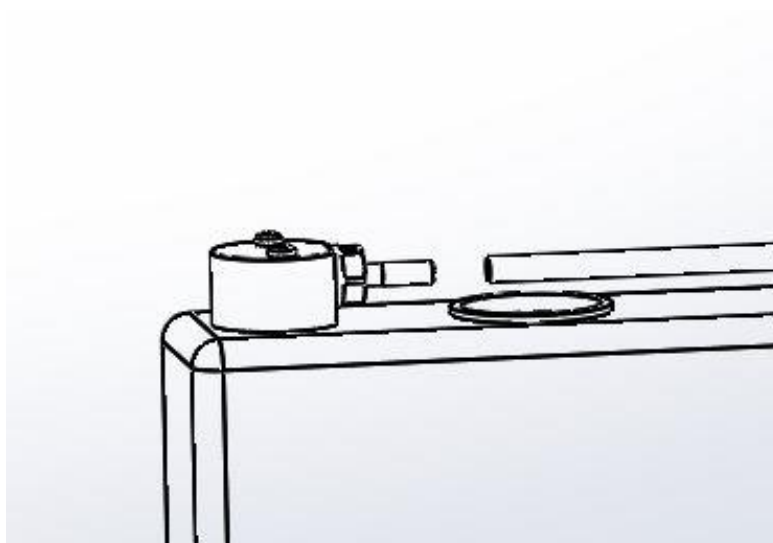
Fill up the detergent tank with HLF blue alkaline detergent.

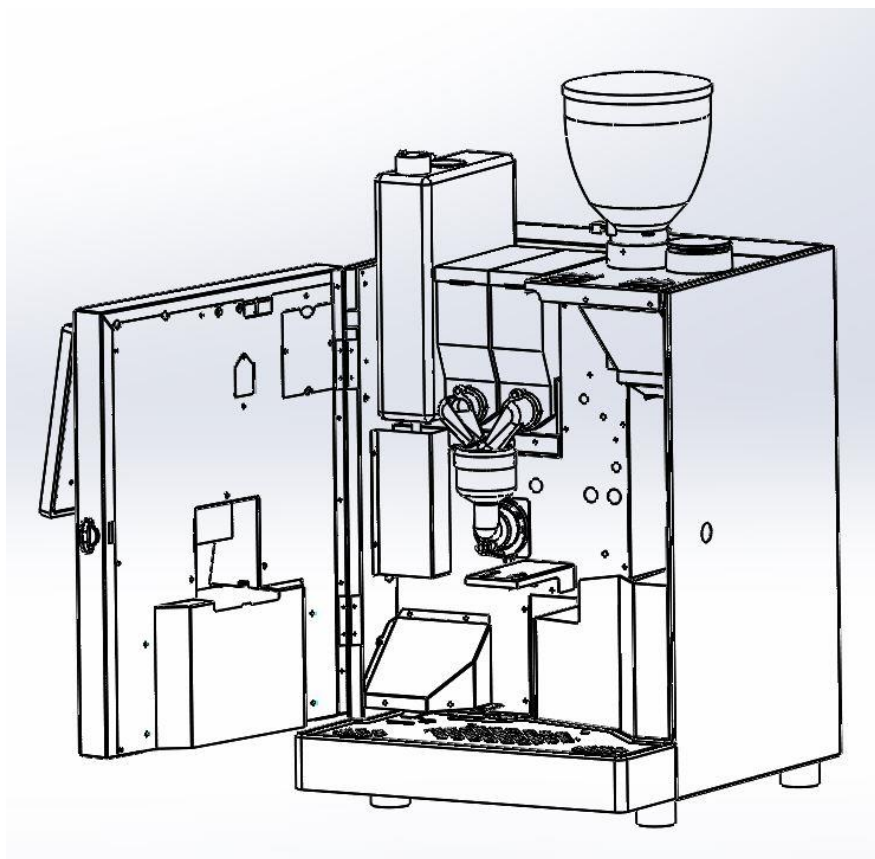


Take off the top lid, open the front door and screw the knobs on the left. Remove the top of the tank (as the image below)



Lift the lid of the tank and disconnect the connection pipe from the tank.



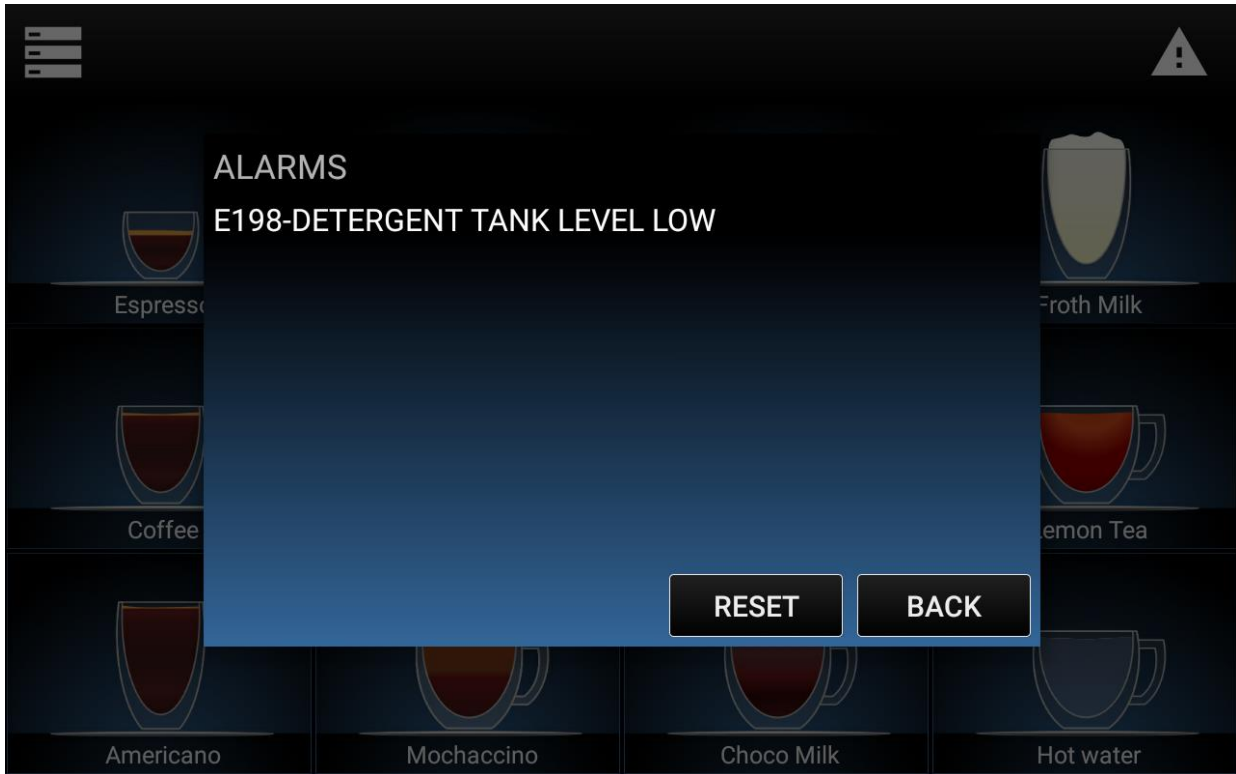


From now it is possible to take out the tank and refill it.



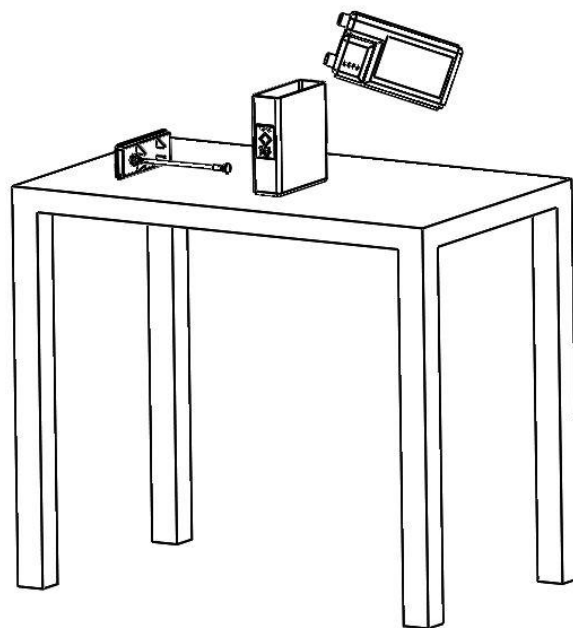
IT IS IMPORTANT TO REMOVE THE TANK FROM ITS COMPARTMENT TO REFILL IT

When the detergent tank needs to be refilled, you will see this alarm in the main screen:



If the alarm is still showing, press on the **Reset** button to show the detergent tank refill request.

We recommended to use a funnel to refill the tank, in this way the detergent can't goes out.



When the tank is empty, reposition it and put the lid on and screw the knobs.

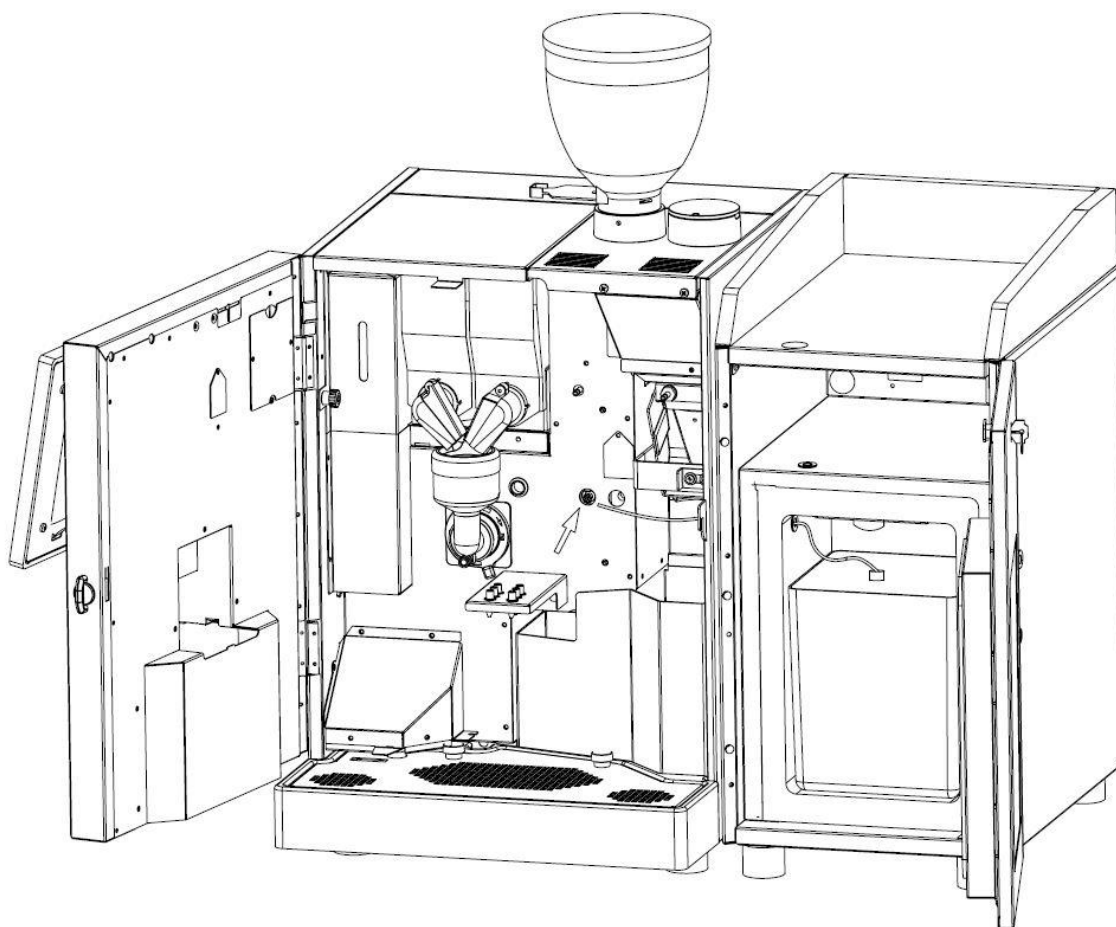
1.2.4.4 Milk



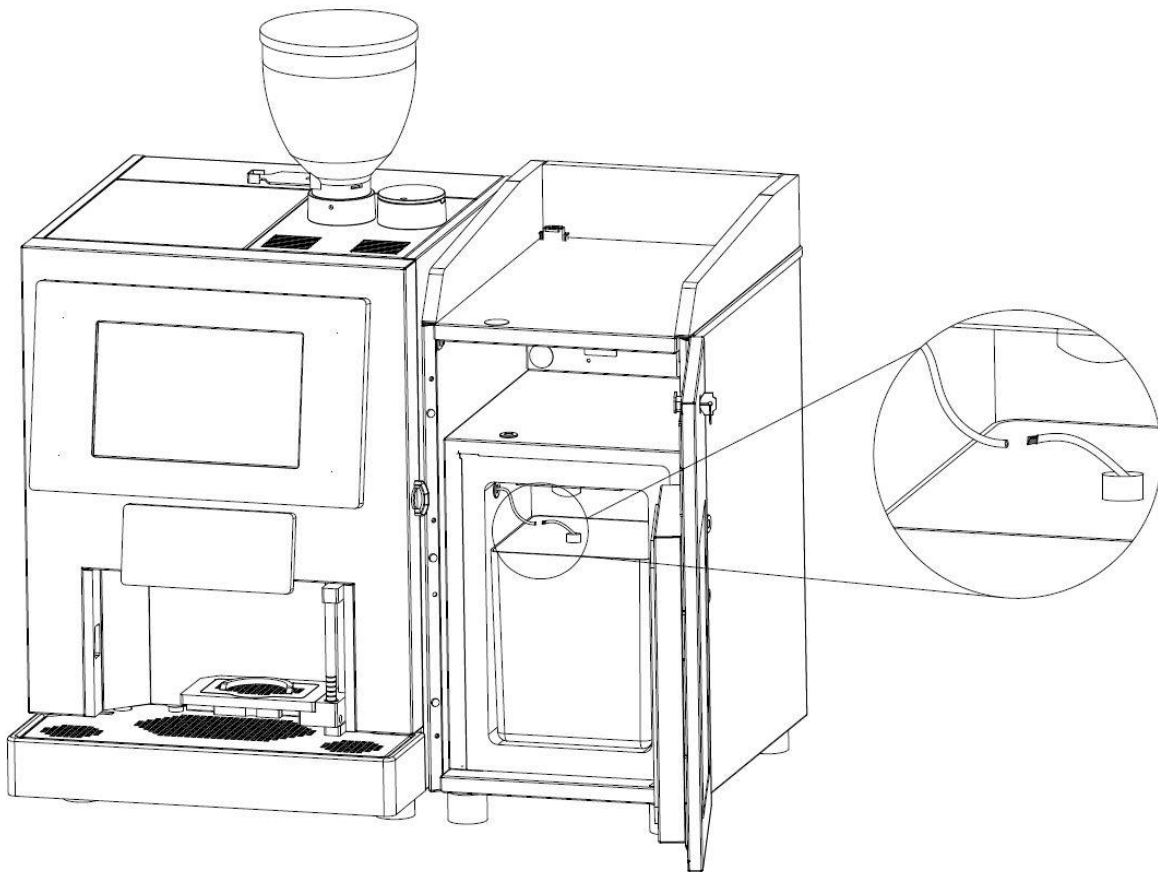
WARNING

Refer to paragraph 2.2.1.3 for the proper use of the milk with HLF 2700 machine.

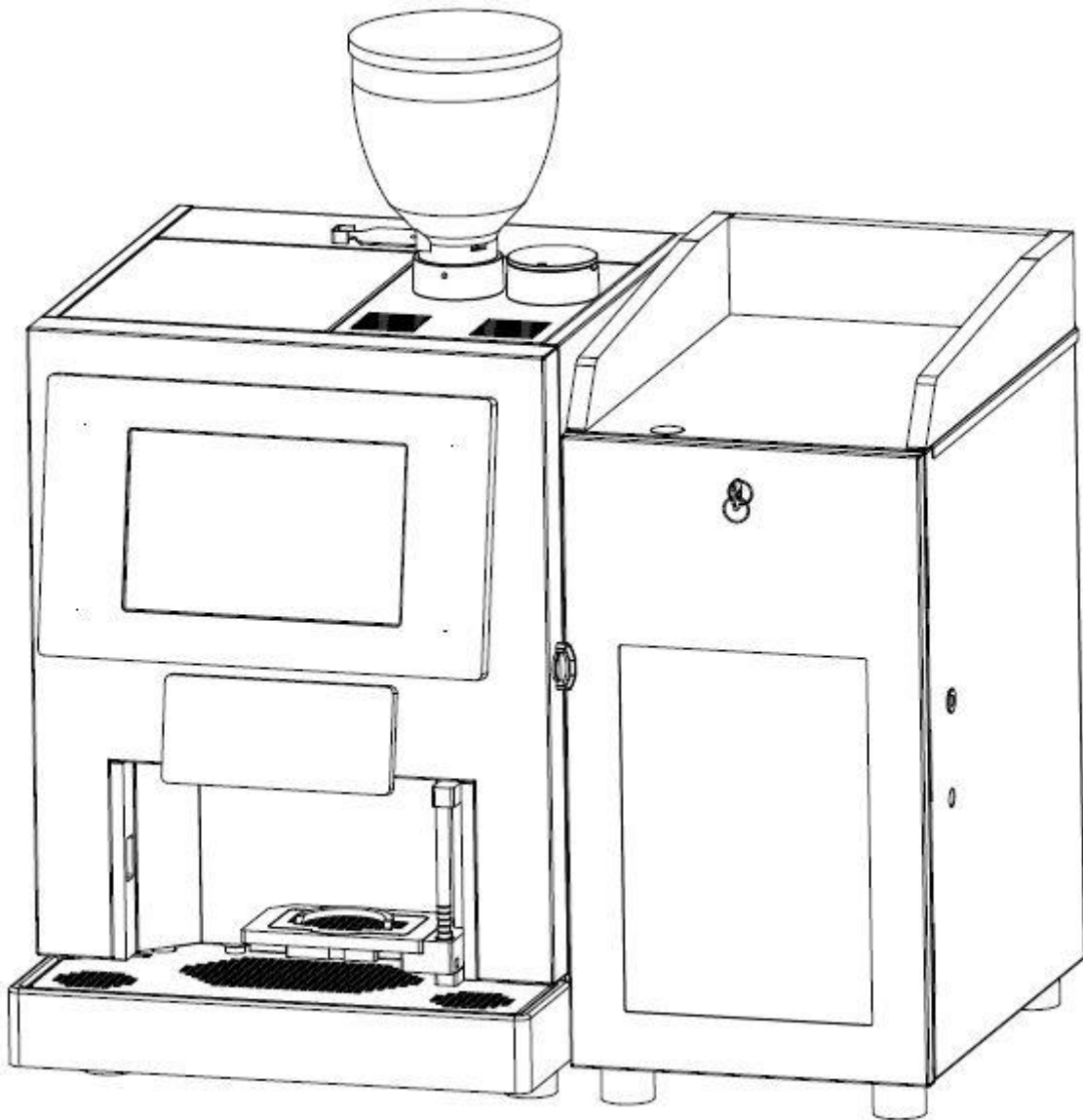
Open the door of the machine and take out the clear pipe from the inside.
Open the fridge door and pass the pipe through the milk tube hole on the side of the machine and then through the hole on the side of the fridge



Connect the pipe to the black plug of the milk container as indicated on the image below



Then close the door of the machine and of the fridge.



CAUTION

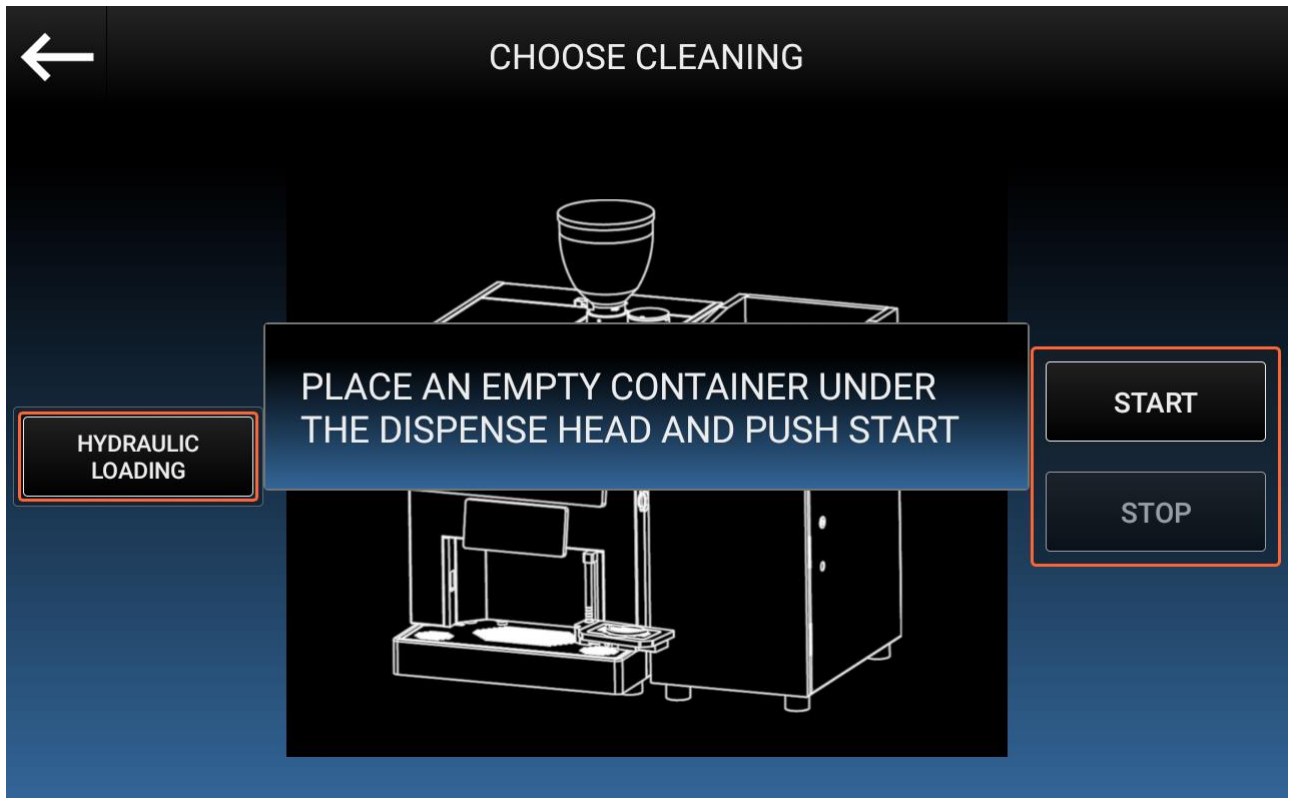
When pouring milk into the container, pay attention to hygiene to ensure that no contaminated milk enters the system. The milk container must be clean and dry.

1.3 Start up and operation mode

1.3.1 Turning ON the unit

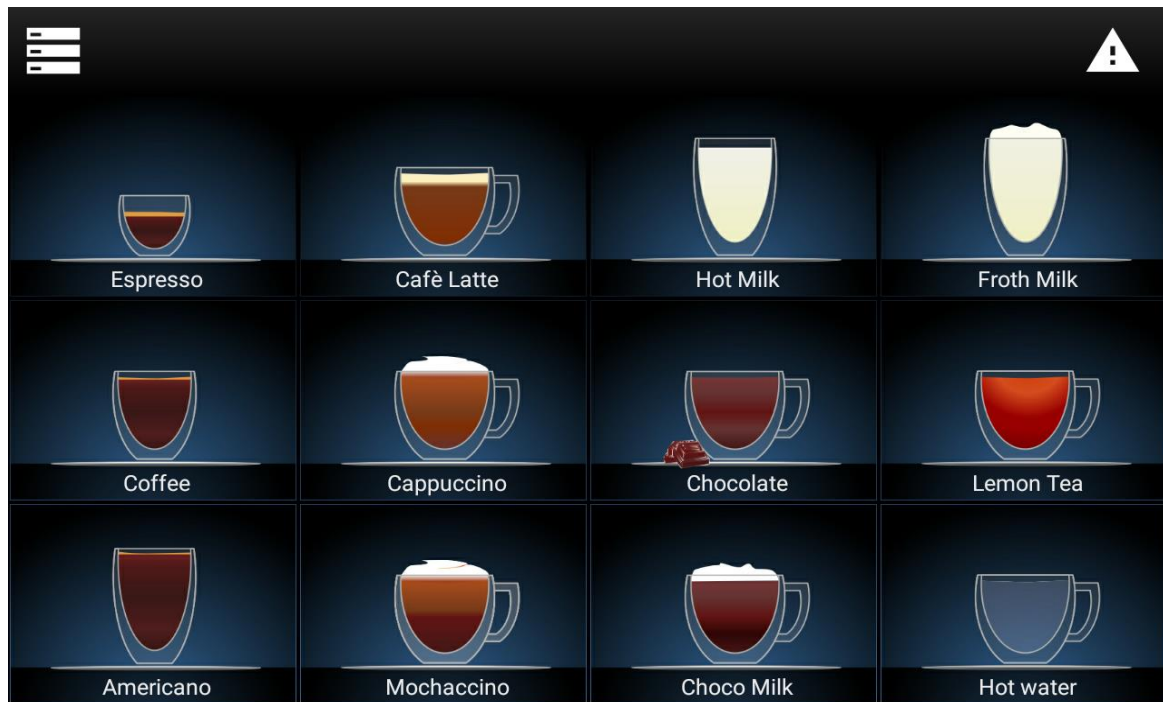
The following screen shot will appear on the touch screen.

It means that an Hydraulic Loading has to be run in order to load water into all the hydraulic circuits.

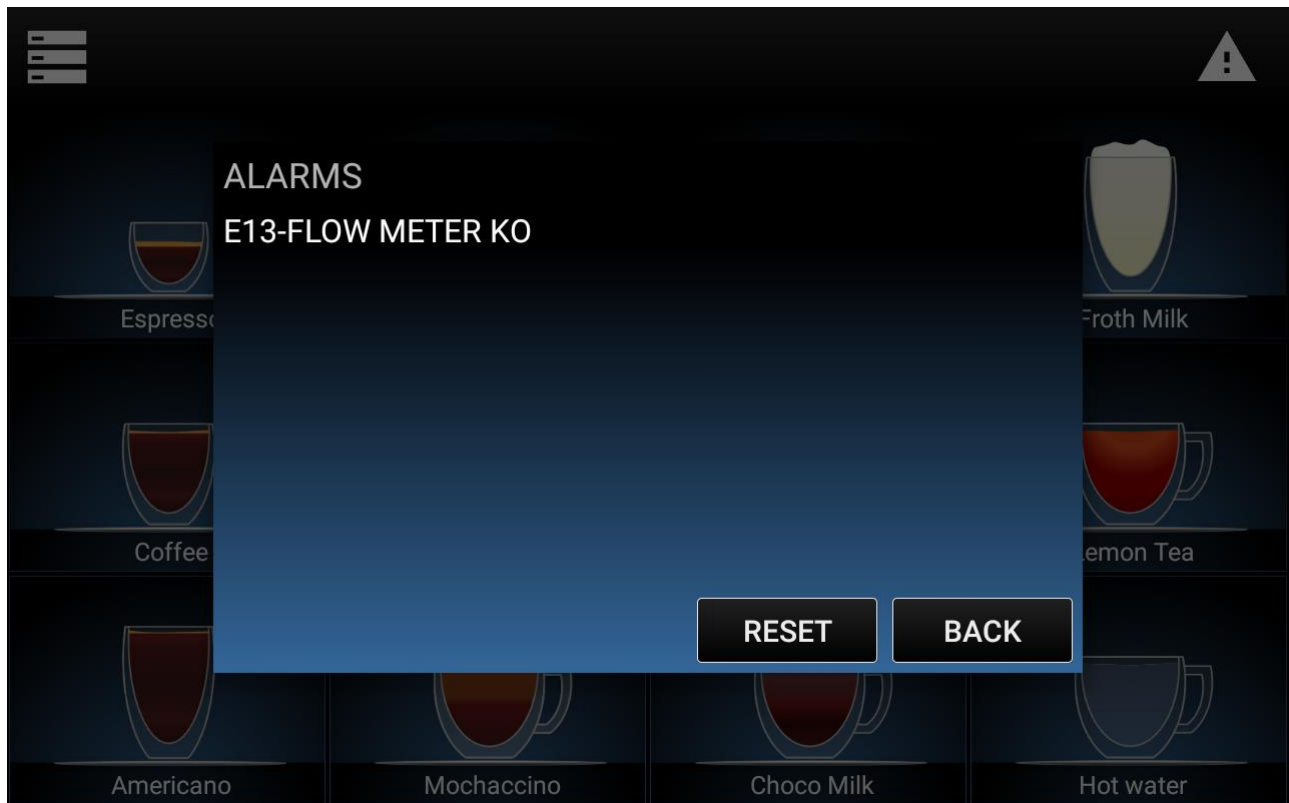


Push on the **Start** button to start the Hydraulic Loading procedure. This operation will take about 5 minutes.

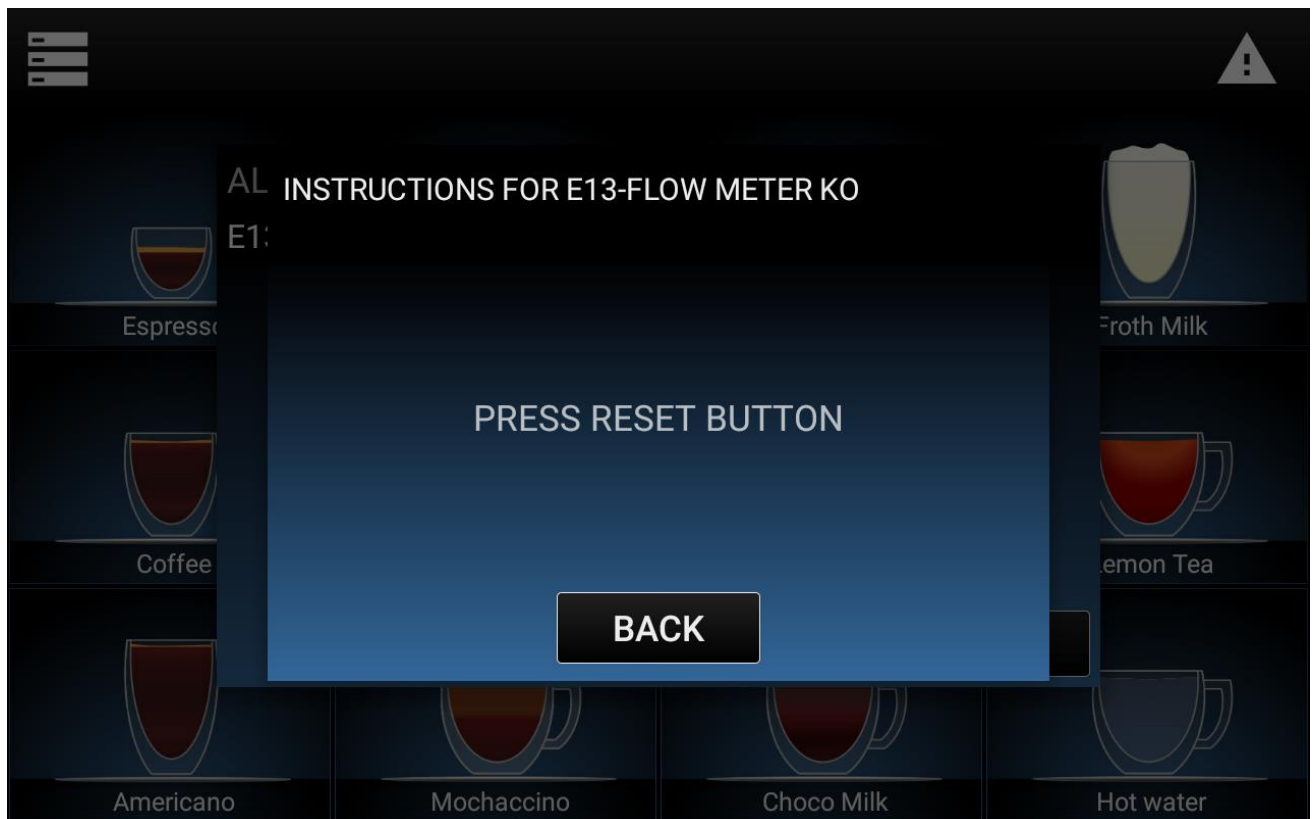
If the below screen shot will appear, push on the error icon (top right corner).



The following screen shot will appear.



Push on the **FLOW METER KO** alarm and the following screen shot will appear. This happened because at the first initial water fill in of the machine, the water doesn't arrive directly to the boiler.



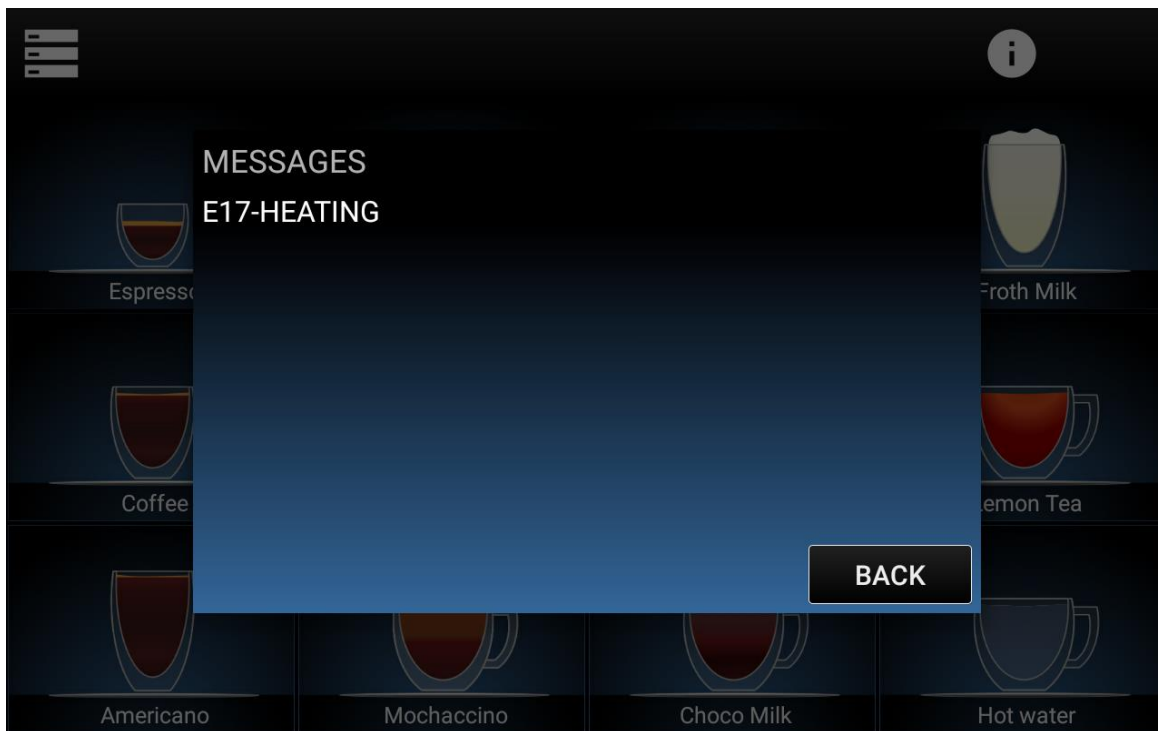
After the press of the RESET button the machine will load the boiler, and the Hydraulic Loading screen will be shown again.

1.3.2 Initial heating

Once the cleaning cycle is finished, the following screen will appear.



Push on the message icon (top right corner), and you will see the following screenshot:



The internal boiler is heating the water and this process is going to take around 5 minutes. When the notification icon disappears, the machine is ready to work.

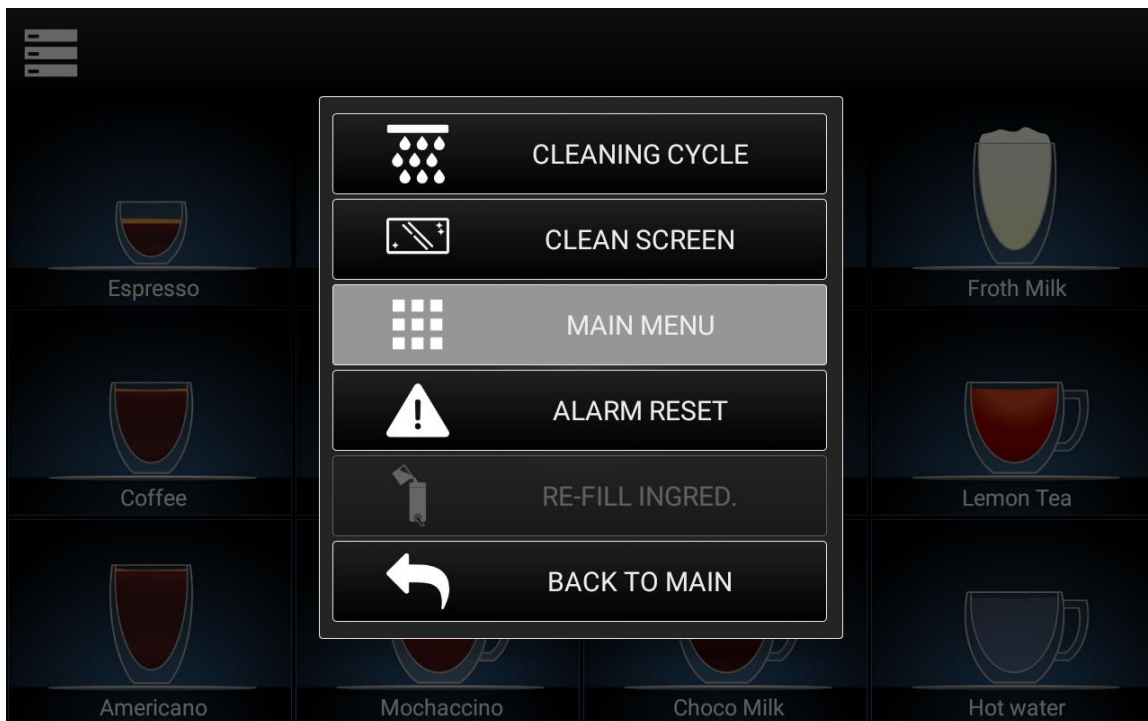
At this point it is possible to:

- start delivering drinks
- or
- access the software and consult the instruction manual as follows:

Push the top left corner.



Then push **Main Menu** key.



Enter the password: 123456 and push **OK**.

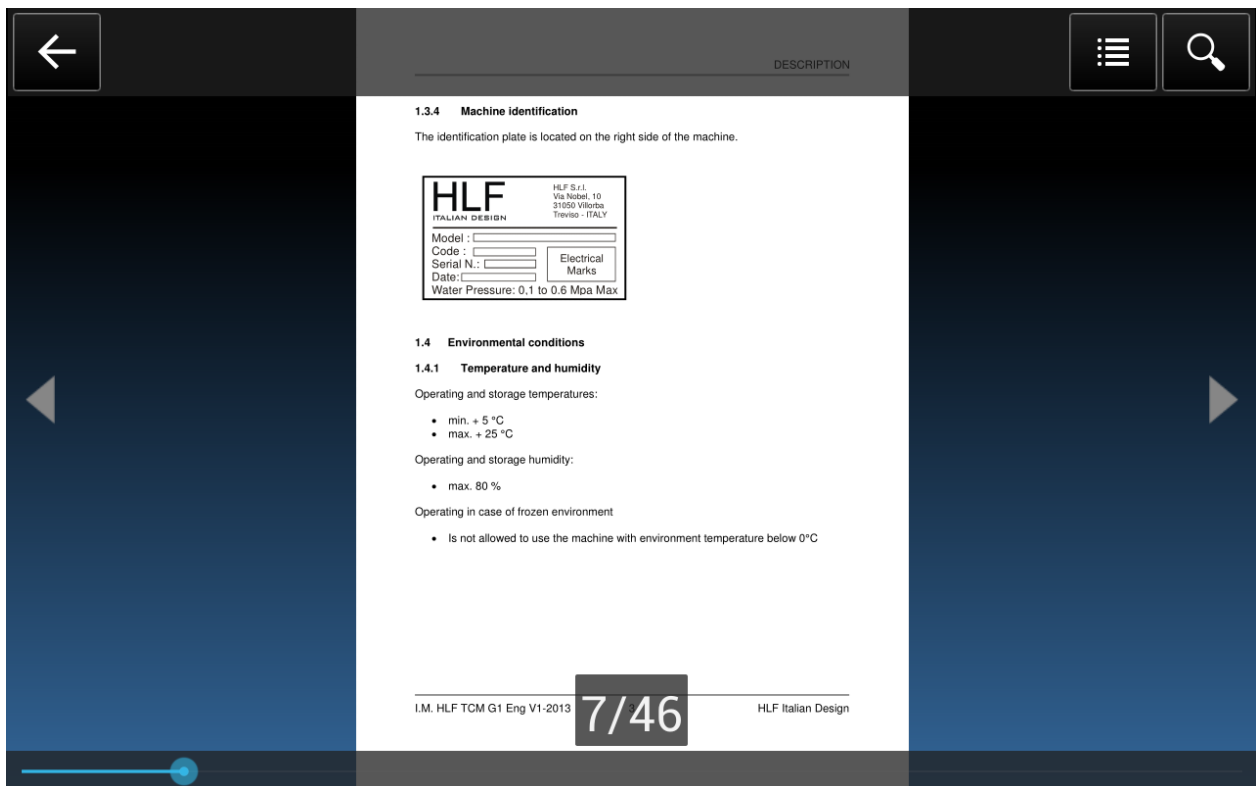
Push **Manual**.



The application will check the version of the instruction manual.

If a more recent version will be found (internet connection is required), you will be asked to start the download.

The PDF file of this Instruction Manual will be then displayed on the touch screen.



The possible operations to do are the following:



to scroll to the previous page



to scroll to the next page



to access the manual index and select a section



to search words



to search word backwards



to search word forwards



to scroll forwards/backwards

1.3.4 Instructions Manual

Scan the below QR Code or click on the following link to access the instructions manual of the machine:



https://kutt.it/IM-2700_NEW-Eng

