

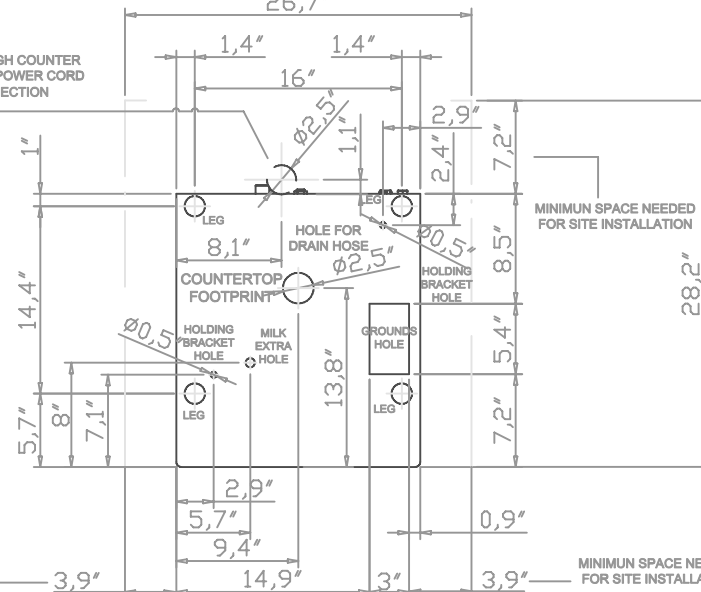
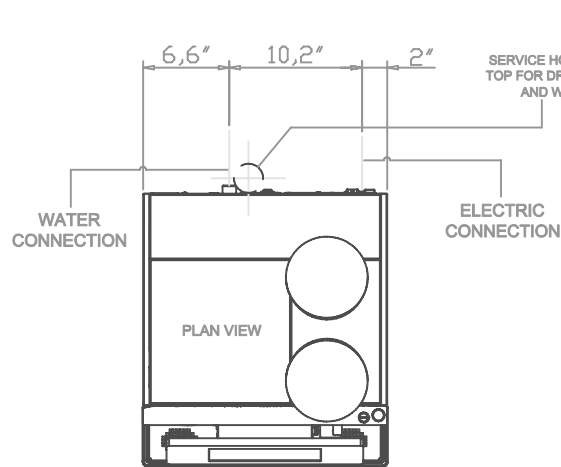
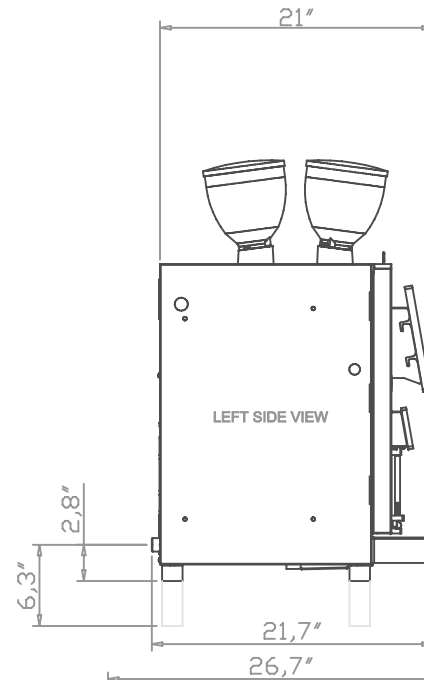
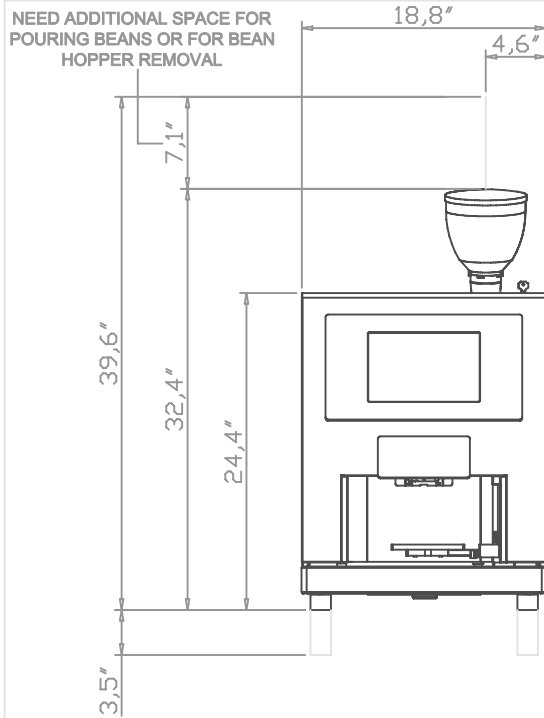
REVISIONE	DESCRIZIONE	DATA
X	XX	/2016
X	XX	/2016

HLF

H.L.F. S.r.l. si riserva, a termini di legge, la proprietà del presente disegno e ne vieta la riproduzione o la copia, senza sua autorizzazione scritta.

PLANNING DIAGRAM

DATA	DISSEGNAZIONE	SCALA
08/03/2016	SGAGGIO M.	1:10
DESCRIZIONE	CODICE	REVISIONE
HLF 4700 PLANNING DIAGRAM (INCHES)	9BPM47G21	1



MINIMUM SPACE NEEDED FOR SITE INSTALLATION
 WITH CUP WARMER = 14,2 INCHES
 WITH CASH BOX = 18,1 INCHES

MINIMUM SPACE NEEDED FOR SITE INSTALLATION
 WITH MILK FRIDGE = 14,2 INCHES

Physical site requirements : model HLF 4700

HEIGHT 43 inches INCLUDES 4,7 inches LEGS: IT'S POSSIBLE TO HAVE DIFFERENT LEGS HEIGHT.

Countertop space : 26,7 inches (Width), 28,2 inches (Depth), 39,6 inches (Height) (Machine Only);

additional 10,3 inches (Width) with Milk fridge on the left / right side;
 additional 10,3 inches (Width) with Cup warmer on the left / right side;
 additional 18,1 inches (Width) with Cash box on the left side;

A DRAIN HOSE ACCESS HOLE IN THE COUNTER TOP MAY BE REQUIRED;

Countertop must be able to support : 176 lb (Machine Only);
 additional 80 lb with Milk fridge on the right side;
 additional 44 lb with Cup warmer on the left side;
 additional 33 lb with Cash box on the left side;

Power requirements : (FOR EU)
 250 V AC, 10 AMP dedicated circuit using a SHUKO receptacle.

(FOR AU)
 230 V AC, 10 AMP dedicated circuit using an AS 3112 receptacle.

(FOR US)
 125 V AC, 15 AMP dedicated circuit using a NEMA 5-15 receptacle;

(FOR UK)
 250 V AC, 13 AMP dedicated circuit using a BS 1363 receptacle.

ELECTRICAL RECEPTACLE MUST BE LOCATED WITHIN 59 inches OF THE MACHINE.

Plumbing requirements : Cold water source with a dedicated female 3/4" fitting and an in-line shut-off valve.

Water supply pressure must be MIN 1 bar (14,5 PSI) and MAX 6 bar (87 PSI).

WATER LINE MUST BE LOCATED WITHIN 59 inches OF THE MACHINE.
 If your location has a reverse osmosis system, a fresh water bypass is required.

Room temperature : cannot exceed 32 °C (90 °F).

Drain system requirements :
 It's important that the drain hose has a continuous rate of fall.
 Minimum rate of fall required is one inch per foot (85 millimeters per meter).

